

4-inch Biotube[®] Effluent Filters

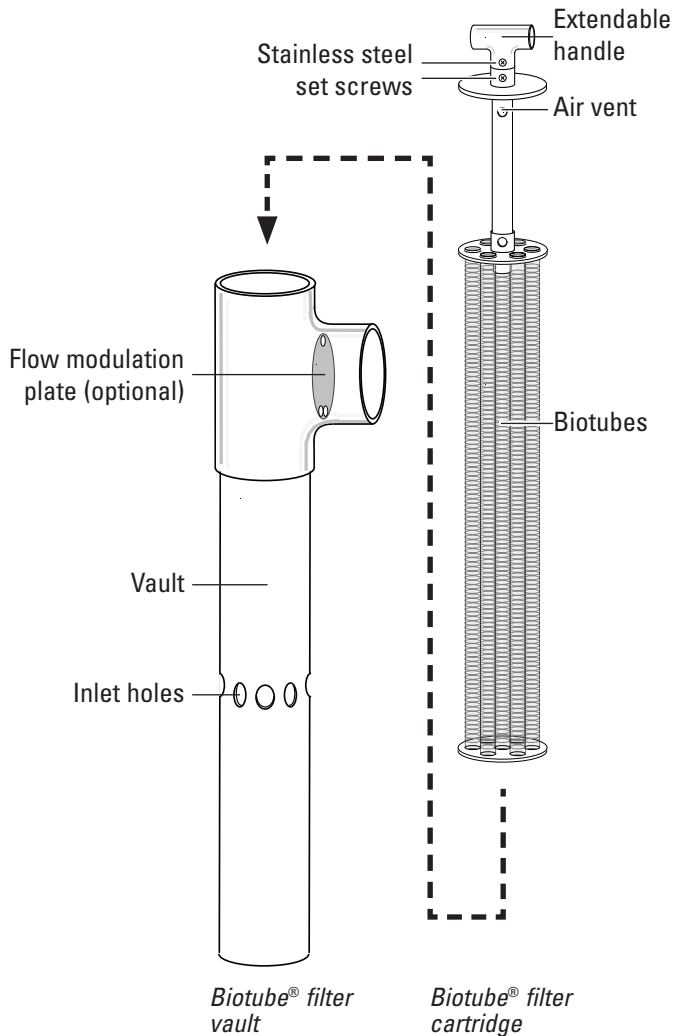
Applications

Oreco[®] 4-inch Biotube[®] Effluent Filters are designed to remove solids from effluent leaving residential septic tanks. They can be used in new and existing tanks at flows of up to 1200 gpd.

General

Oreco 4-inch Biotube Effluent Filters (U.S. Patents No. 4,439,323 and 5,492,635) are used to improve the quality of effluent exiting a septic tank in a residential septic system. Increased effluent quality improves system performance and extends drainfield life.

The Biotube cartridge fits tightly in the vault and is removable for maintenance, and the tee handle can be extended for easy removal of the cartridge.



Standard Models

FTS0444-36, FTS0444-36M, FTW0436-28, FTW0436-28M
FTW0444-36, FTW0444-36M

Nomenclature

FT [] [] 04 [] - [] [] - []

For customized options (e.g., NC indicates North Carolina regions)

Options:
Blank = no options
M = flow modulation plate installed
A = float bracket attached

Cartridge height, standard:
28"
36"

Housing height, standard:
36"
44"

Indicates filter diameter (inches)

W = fits Type 3034 outlet pipe
S = fits Schedule 40 outlet pipe

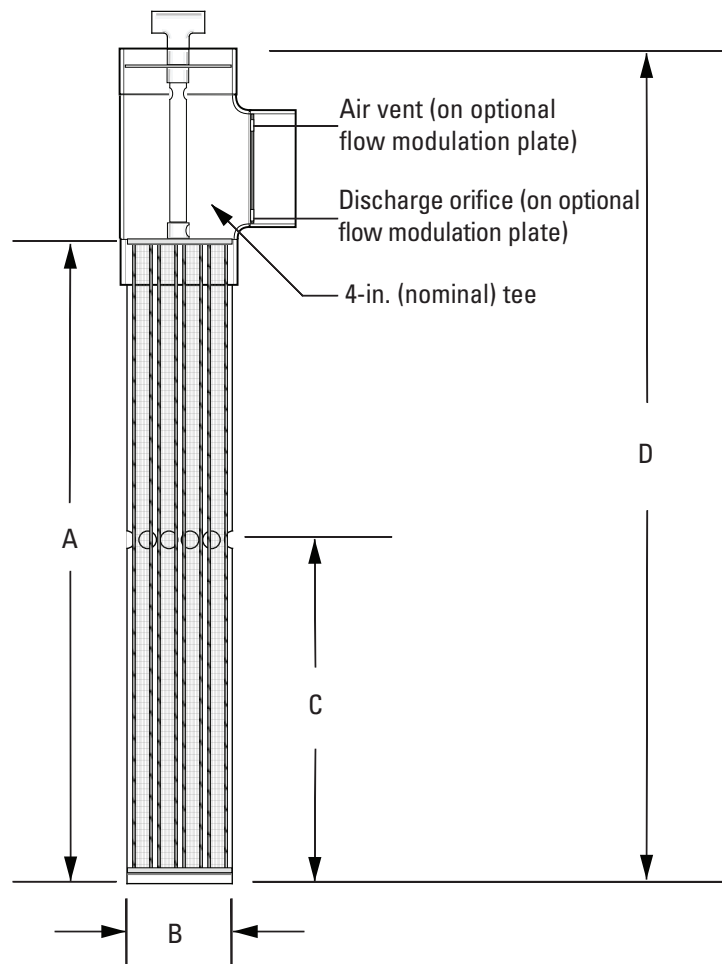
Blank = 1/8" filtration
P = 1/16" filtration

Biotube[®] effluent filter series

Materials of Construction

Vault	PVC
Biotube [®] cartridge	Polypropylene and polyethylene
Handle components	PVC, polyethylene, stainless steel

4-inch Biotube® Effluent Filters (continued)



Specifications

Model	FTS0444-36 / FTS0444-36M FTW0444-36 / FTW0444-36M	FTW0436-28 / FTW0436-28M
A - Cartridge height (in.)	36	28
B - Nominal diameter (in.)	4	4
C - Inlet hole height* (in.)	21¼	19¼
D - Vault height (in.)	44	36
Number of inlet holes	8	8
Inlet hole diameter (in.)	1½	1½
Number of discharge orifices	1 or 2†	1 or 2†
Discharge orifice diameter (in.)	4 or ½†	4 or ½†
Discharge coupling diameter (in.)	4	4
Number of air vents	1	1
Air vent diameter, flow modulation plate (in.)	½	½
Filter surface area‡ (ft²)	5.1	3.9
Flow area** (ft²)	1.5	1.2

* Inlet hole height can vary depending on the configuration of the tank. Optimum hole height is 70% of the minimum liquid level.

† Available on optional flow modulation plate.

‡ Filter area is defined as the total surface area of all individual Biotubes® within the filter cartridge.

** Flow area is defined as the total open area (area of the mesh openings) of all the individual Biotubes within the filter cartridge.